

CORRIGENDUM-I, Published on July 20, 2023

**Tender for manufacturing , supply and installation of furniture for the permanent campus of IIM Sirmaur (Phase-I)
NIT No.: IIMS/FURNITURE TENDER/03/2023-24, dated July 08, 2023**

Sr. No	Head	Terms as per the Existing Tender	Revised Terms based on Queries raised in the pre bid meeting held on July 17, 2023
1	EMD	Page No. 04, Sr. No. 07- EMD of Rs.23,00,000/- (Rupees Twelve Three Lakhs only)	To be read as EMD of Rs.23,00,000/- (Rupees Twenty Three Lakhs only)
		Page No. 05, Point-d- Earnest Money Deposit (EMD) of Rs. 23,00,000/- (Rupees Twenty-three Lakhs only) will be accepted in the form of RGTS/NEFT in Bank details given as in point number three. The Fix Deposit Receipt/ Demand Draft in favour of “Indian Institute of Management, Sirmaur” from any Nationalised/Scheduled bank. The receipt of the transaction has to be uploaded along with bidding documents.	Earnest Money Deposit (EMD) of Rs. 23,00,000/- (Rupees Twenty-three Lakhs only) will be accepted in the form of RTGS/NEFT in Bank details given as in point number three. The Fix Deposit Receipt/ Demand Draft in favour of “Indian Institute of Management, Sirmaur” from any Nationalised/Scheduled bank. The receipt of the transaction has to be uploaded along with bidding documents. FDR validity will be 6 Months from the last date of tender submission.
2	Warranty Period	Page No. 45, Sr. No. 04- Warranty period of the supplied products shall be 5 years against manufacturing defects from the date of final acceptance of goods or after completion of installation, at consignee location. OEM Warranty certificates must be submitted by Successful Bidder at the time of delivery of Goods. Successful bidder will have to ensure that adequate number of dedicated technical service personnel / engineers are designated / deployed for attending to the Service Request in a time bound manner and for ensuring Timely Servicing / rectification of defects during warranty and defect liability period.	Warranty period of the supplied products shall be 02 years against manufacturing defects from the date of completion of installation and acceptance by the institute, at consignee location. OEM Warranty certificates must be submitted by Successful Bidder at the time of delivery of Goods. Successful bidder will have to ensure that adequate number of dedicated technical service personnel / engineers are designated / deployed for attending to the Service Request in a time bound manner and for ensuring Timely Servicing / rectification of defects during warranty and defect liability period.

3	Technical Eligibility	<p>Page No. 11, Point g- The bidder shall submit copies of delivery challans/Invoices (Unpriced Copy) for each material in support of that material is from OEM. Tax Invoices of Original Equipment Manufacturer (OEM) shall also be submitted by the bidder to ascertain genuineness of the material.</p>	<p>Delivery challan/invoices (Unpriced copy) for each material to be supplied by the selected bidder, and after procurement of material but before the factory inspection by IIM Sirmaur, the bidder may be the OEM or his authorised representative whatever the case may be.</p>
		<p>Page No. 11, Point h- The bidder should have the following certification: BIFMA membership certificate, ISO: 9001:2008; ISO: 14001:2004; ISO: 18001:2007, ISO 45001, Green Pro for raw material issued from NABCB accredited agency in India which can be verified, also certificate for AT LEAST ONE relevant category of products. Copies of all these Certificates from certified laboratory shall be uploaded with the technical bid.</p>	<p>BIFMA membership certificate is not required to be submitted.</p> <p>The latest version of following certificates needs to be submitted</p> <ol style="list-style-type: none"> 1) ISO 9001. 2) ISO 14001.
		<p>Page No. 11, Point i- The manufacturer should have the up-to-date calibration certificates of the testing lab equipment's calibrated by any NABL approved lab. The copy of the same should be uploaded with the tender bid.</p>	<p>Green Pro certificate for raw materials like plywood, Block board, and laminates for the following category of the products (A-Classroom desks, B-Office Tables, C-Conference tables, D-Workstations) is to be submitted.</p> <p>Up-to-date calibration certificates of the machine/equipments of the bidder from NABL or NABL approved lab/agency is required to be submitted. The copy of the same should be uploaded with the tender bid. The institute committee may check the machinery at plant site.</p>

		<p>Page No. 11, Point j-The bidder/OEM must upload documentary proof of owning (Copy of Purchase invoices along with the photographs) machinery such as Hot Hydraulic Press Machine, Plywood Cutting Machine, Automatic Profile Vibrate Sanding Machine using sets of sanding papers with capacity 30 panel per hour, Automatic Spraying Machine with thickness detection system & auto feeding system - minimum one robotic arm set of two number of spray guns with capacity of 30 panel per hour, UV Curing Machine that should be used for laminate/Veneer finish for manufacturing the furniture within the stipulated period.</p>	<p>Copy of Purchase invoice of machineries/equipments as given in the tender are required to be submitted along with the bid.</p>
4	Clarification of Bid document	<p>Page No. 08, Point a-The Bid/enquiry is issued on “Zero Deviation Bidding” basis wherein no post bid correspondence of any nature shall be entertained. Bidders in their own interest are advised to take part in the pre-bid meeting seriously by issuing their genuine queries and also by attending the pre-bid meeting by their competent personnel. This will help bidder not only to cut short of the evaluation time leading to requirement of shorter bid validity. This will enable the bidder to submit their best prices based on the clear techno-commercial scope.</p>	<p>The deviations to a maximum upto $\pm 10\%$ may be allowed without compromising on the functionalities and life of the furniture item. However in such cases, the decision of committee appointed by IIM Sirmaur for approval of the samples shall be final and binding.</p>
5	Minimum Pre-Qualification Criteria	<p>Page No. 11, Point c- Audited balance sheets and profit and loss account statements for three years (FY 2020-21, 2021-22 & 2022-23) duly certified by the Statutory Auditor for these three years must be uploaded.</p>	<p>Audited balance sheets and profit and loss account statements for three years (FY 2019-20, 2020-21, 2021-22) duly certified by the Statutory Auditor must be uploaded.</p>

6	Defect Period Liability	Page No. 15, Point 1.1.12- All manufacturing defects of fixtures / fittings including any defects of shrinkage or other faults that appear in the furniture within twenty-four months after a certificate of its completion is given by the IIM Sirmaur shall be rectified by the contractor.	All manufacturing defects of fixtures / fittings including any defects of shrinkage, cracks or any other faults that appear in the furniture within twenty-four months after a certificate of its completion accepted by the IIM Sirmaur shall be replaced or rectified by the contractor at his own cost.
7	Special Condition Tender	Page No. 45 Point 2. Manufacturer is requested to furnish test certificate for following test carried for present lot or earlier lot of furniture as required by Engineer-in-charge. (Machinery Details). a. Back durability test – cyclic. b. Seating impact test – cyclic. c. Base test – cyclic. d. Castor Durability Test.	Dropped
8	BOQ		Typical sketches for every item of the tender under procurement has been given at the BOQ against these specifications. These sketches are only suggestive/indicative. However, the specifications of the item and the BoQ are sacrosanct. In case there is any ambiguity/discrepancy at any stage in the BoQ or the specification the committee of the institute will give the final decision for change and Committee's decision shall be final and binding.

QUERY RAISED FOR BOQ SPECIFICATIONS

BoQ No.	Item Description	Query Raised	Reply/Modified Provisions
1	RECEPTION DESK-1:	<p>term "49eparately" not cleared.</p> <p>Should we take 12 mm teak wood beading for covering all the edges .</p> <p>For understanding the exact requirement of the customer : Drawing/Ref image required for all the product</p>	<p>All veneered surface to be sprayed with four coats of PU polish matt finished in desired shade using base material of approved make.</p> <p>Table shall Have-Table shall have adequate provisions for the movement of electric and LV cables separately at desired levels. Raceway having cut outs of required sizes along with Hydraulic Pop-Up Box/Cable Cubby with HDMI, Audio, LAN and Power Ports. Reference image enclosed.</p>
2	RECEPTION DESK-2:	<p>term "49eparately" not cleared.</p> <p>Should we take 12 mm teak wood beading for covering all the edges .</p> <p>For understanding the exact requirement of the customer : Drawing/Ref image required for all the product</p>	<p>All veneered surface to be sprayed with four coats of PU polish matt finished in desired shade using base material of approved make.</p> <p>Table shall have adequate provisions for the movement of electric and LV cables separately at desired levels. Raceway having cut outs of required sizes along with Hydraulic Pop-Up Box/Cable Cubby with HDMI, Audio, LAN and Power Ports. Reference image enclosed.</p>

3	EXECUTIVE DESK	<p>term "49eparately design" not cleared.</p> <p>For understanding the exact requirement of the customer : Drawing/Ref image required for all the product</p>	<p>All veneered surface to be sprayed with four coats of PU polish matt finished in desired shade using base material of approved make. All necessary SS hardware/ fitting/ hinges/ locks/ handles etc. shall be provided as per list of approved make.</p> <p>Reference image enclosed.</p>
4	SIDE ARM TABLE-1:	<p>For understanding the exact requirement of the customer : Drawing/Ref image required for all the product</p>	<p>Reference Image enclosed</p>
7	OFFICER TABLE-1	<p>You have asked Veneer Edge Bending for table. You are requested to kindly amend the same with the working and non-working edges sealed with PVC edge bending as it is not possible with laminates.</p>	<p>Modified.</p> <p>The working or non-working edges shall be provided with veneer edge bending/ Solid Hard wood with PU polish matt finished matching colour of veneer</p>
20	VISITING CHAIR-1:	<p>1. Wrongly mentioned 1200mm for seat back ,it should be 12mm</p> <p>2. As per technical specifications, you have asked for Central Tilting mechanism in 5 position locking system. It is recommended to opt for Knee Tilting mechanism to provide extra comfort, Synchro movement and ergonomic.</p>	<p>1. Modified. seat and back are made up of 12mm hot pressed plywood</p> <p>2. No change in NIT Provisions/ BoQ specification</p>

25	PEDESTAL STORAGE-2:	<p>1. there should be pvc edge bending in all laminated tables instead of veneer edge bending</p> <p>2. You have asked Veneer Edge Bending for table. You are requested to kindly amend the same with the working and non-working edges sealed with PVC edge bending as it is not possible with laminates.</p>	<p>Modified.</p> <p>The working or non-working edges shall be provided with veneer edge bending/ Solid Hard wood PU polish matt finished with matching colour of veneer</p>
26	PEDESTAL STORAGE-3:	<p>there should be pvc edge bending in all laminated tables instead of veneer edge bending</p>	<p>Modified.</p> <p>The working or non-working edges shall be provided with veneer edge bending/ Solid Hard wood PU polish matt finished with matching colour of veneer</p>
32	Almirah 1	<p>As per technical specifications, you have asked the almirah with height adjustment. Here, we wish to state that as he asked almirah is in welding construction and you have asked the welded legs of 75mm, we understand that there is some typing error and it should be the storage shelf should be height adjustable. Please clarify.</p>	<p>No change in NIT Provisions/ BoQ specification. It is clearly mentioned in Specification that Storage shall be height adjustable.</p>
33	Almirah 2	<p>As per technical specifications, you have asked the almirah with height adjustment. Here, we wish to state that as he asked almirah is in welding construction and you have asked the welded legs of 75mm, we understand that there is some typing error and it should be the storage shelf should be height adjustable. Please clarify.</p>	<p>No change in NIT Provisions/ BoQ specification. It is clearly mentioned in Specification that Storage shall be height adjustable.</p>

34	Compactor	You are requested to kindly provide Bays for the compactor	Modified: 5 Bay : 1 Nos. 4560X2560X2080 (Storage for Store and Purchase) 5 Bay : 1 Nos. 4560X2560X2080 (Storage Finance and Accounts) 5 Bay : 1 Nos. 4560X2560X2080 (Storage for PGP)
35	SOFA-3S(TYPE-1)	Size not given in sofas : only number of seating given	Per Seat Size shall be Min. 750mm
36	SOFA-2S(TYPE-1):	Size not given in sofas : only number of seating given .	Per Seat Size shall be Min. 750mm
37	SOFA-1S(TYPE-1):	Size not given in sofas : only number of seating given	Per Seat Size shall be Min. 750mm
38	SOFA-3S(TYPE-2):	Size not given in sofas : only number of seating given .	Per Seat Size shall be Min. 750mm
39	SOFA-2S(TYPE-2):	Size not given in sofas : only number of seating given .	Per Seat Size shall be Min. 750mm
40	SOFA-1S(TYPE-2)	Size not given in sofas : only number of seating given .	Per Seat Size shall be Min. 750mm
44	CENTER TABLE-1:	Wrongly mentioned pre laminated: Plywood board + 4 mm Natural Veneer, it should be Ply + 4 mm veneer . Under structure material is not given	Modified. Shall be read as Ply Board+4mm Veneer. Under Structure shall be of Solid Hard wood with PU polish matt finished
45	CENTER TABLE-2:	Under structure material is not given	Modified Under Structure shall be of Solid Hard wood with PU polish matt finished

46	CENTER TABLE-3:	Under structure material is not given	Modified Under Structure shall be of Solid Hard wood with PU polish matt finished
47	CENTER TABLE-4:	Understructure material is not given	Modified Under Structure shall be of Solid Hard wood with PU polish matt finished
52	CONFERENCE TABLE-1 (30 Seater):	Understructure material is not given : pls confirm it should be Ply+veneer or ply+laminate ? Pop-Up/flipup box should be quoted in this price ? If yes then how much quantity should we considered ?	Modified Under Structure shall be of Solid Hard wood with PU polish matt finished Pop-up / Flip box are part of conference Table. 8 Nos. Pop-up box shall be considered.
53	CONFERENCE TABLE-2 (20 Seater):	Understructure material is not given : pls confirm it should be Ply+veneer or ply+laminate ? Pop-Up/flipup box should be quoted in this price ? If yes then how much quantity should we considered ?	Modified Under Structure shall be of Solid Hard wood with PU polish matt finished Pop-up / Flip box are part of conference Table. 4 Nos. Pop-up box shall be considered.
54	CONFERENCE TABLE-3 (40 Seater):	Understructure material is not given : pls confirm it should be Ply+veneer or ply+laminate ? Pop-Up/flipup box should be quoted in this price ? If yes then how much quantity should we considered ?	Modified Under Structure shall be of Solid Hard wood with PU polish matt finished Pop-up / Flip box are part of conference Table. 8 Nos. Pop-up box shall be considered.
55	CONFERENCE TABLE-4 (50 Seater):	Understructure material is not given : pls confirm it should be Ply+veneer or ply+laminate ? Pop-Up/flipup box should be quoted in this price ? If yes then how much quantity should we considered ?	Modified Under Structure shall be of Solid Hard wood with PU polish matt finished Pop-up / Flip box are part of conference Table. 12 Nos. Pop-up box shall be considered.

56	CONFERENCE TABLE-5 (50 Seater):	Understructure material is not given : pls confirm it should be Ply+veneer or ply+laminate ? Pop-Up/flipup box should be quoted in this price ? If yes then how much quantity should we considered ?	Item deleted from the BoQ
57	MEETING TABLE-1A (20 Seater):	Understructure material is not given : pls confirm it should be Ply+veneer or ply+laminate ? Pop-Up/flipup box should be quoted in this price ? If yes then how much quantity should we considered ?	Modified Under Structure shall be of Solid Hard wood with PU polish matt finished Pop-up / Flip box are part of conference Table. 12 Nos. Pop-up box shall be considered.
58	MEETING TABLE-1B (26 Seater):	term "87eparately design" not cleared : pls define what is it . Understructure material is not given : pls confirm it should be Ply+veneer or ply+laminate ? Pop-Up/flipup box should be quoted in this price ? If yes then how much quantity should we considered ?	Modified: Under Structure shall be of Solid Hard wood with PU polish matt finished Pop-up / Flip box are part of conference Table. 6 Nos. Pop-up box shall be considered.
59	MEETING TABLE-2 (13 Seater):	term "88eparately design" not cleared : pls define what is it . Understructure material is not given : pls confirm it should be Ply+veneer or ply+laminate ? Pop-Up/flipup box should be quoted in this price ? If yes then how much quantity should we considered ?	Modified: Under Structure shall be of Solid Hard wood with PU polish matt finished Pop-up/ Flip box are part of conference Table. 4 Nos. Pop-up box shall be considered.
65	DINING TABLE-1(2 SEATS):	whats the material and thickness of Wooden legs ? It should be in teak wood or merandi wood ?	Modified: Under Structure shall be of Solid Hard wood with PU Finish .

66	EXECUTIVE DINING TABLE (12 SEATS):	1.whats the material and thickness of Wooden legs ? It should be in teak wood or merandi wood ? 2. you have asked for some certifications, which you have not mentioned in any part of other items) Pls. clarify does this required for this item or not.	Modified: Under Structure shall be of Solid Teak Wood with PU Finish with Leg Size of Min (65-80)X(65-80)mm Certification required are enclosed
67	DINING TABLE-2(2 SEATS):	whats the material and thickness of Wooden legs ? It should be in teak wood or merandi wood ?	Modified: Under Structure shall be of Solid Teak Wood with PU Finish with Leg Size of Min (65-80)X(65-80)mm
68	DINING TABLE-3(4 SEATS):	whats the material and thickness of Wooden legs ? It should be in teak wood or merandi wood ?	Modified: Under Structure shall be of Solid Teak Wood with PU Finish with Leg Size of Min (65-80)X(65-80)mm
65-68	65-68 above	Dining Table Under structure - We are requesting to accept the structure in Steam beech wood for Legs and Framing finish with PU polish. Because the Worldwide test report of JANKA for hardness test, they mentioned for beech wood hardness is 1300 and for teak is 1000.	Modified: Under Structure shall be of Solid Teak Wood with PU Finish with Leg Size of Min (65-80)X(65-80)mm
76	STUDY TABLE WITH DRAWERS	mentioned study table with drawers. ? But drawer's sizes not mentioned. Pls mentioned drawers sizes	Modified: Drawer Shall be Min 470mm wide.
77	STUDY TABLE WITH DRAWERS – MDP G.H.:	mentioned study table with drawers? But drawer's sizes not mentioned. Pls mentioned drawers sizes	Modified: Drawer Shall be Min 470mm wide.

87	CLASSROOM TABLE-HORSESHOE	1. Please provide the image of the product. 2. as mentioned in specs product should be as per approved sample.	Reference Image Enclosed. Approved sample shall be submitted by successful bidder based on BoQ, Specification and Drawing
88	CLASSROOM CHAIR-HORSESHOE	as mentioned in specs product should be as per approved sample :Pls share details of approved sample ??	Reference Image Enclosed. Approved sample shall be submitted by successful bidder based on BoQ, Specification and sketch shown.
Miss printing	Miss printing	In tender BOQ find some misprint like - 47separately , 48eparat , 49eparat, 53separately, 60separately , 87eparately	Modified: 13separately 42eparatel ,43separately ,44separately ,45separately, 47separately, 48separately,49separately,50separately 61separately- shall be read as Customised.

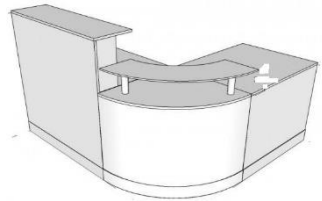
CHANGE IN QUANTITY OF BOQ

Sr. No.	Item	Quantity as per NIT	Quantity as per Modified
1.	Conference Table-1 (30-Seater)	2	1
2.	Conference Table-3 (40-Seater)	1	3
3.	Conference Table-4 (50-Seater)	2	1
4.	Conference Table-5 (50-Seater)	1	0 (Deleted)
5.	Workstation-2	2	162
6.	Meeting Table-1A (20-Seater)	1	5
7.	Meeting Table-1B (26-Seater)	4	1
8.	Compactor	4	3

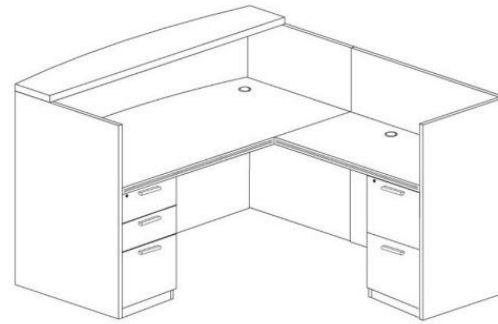
Note:

- 1) The modifications made in the corrigendum shall prevail over and above the conditions mentioned in the bid document. The corrigendum as uploaded herewith shall form part of the agreement.
- 2) There is change in the quantities of items in the BOQ, accordingly, the financial bid document (BOQ) has been modified and this modified financial bid document has been uploaded again on the website. The bidders are expected to download this modified BOQ and submit the same as part of the bid.
- 3) The bids of those bidders, who submit the financial bid in the earlier format, shall not be entertained for evaluation and shall be summarily rejected.
- 4) The quantity of above mentioned items will differ in Milestone-I & II as per modified quantity.

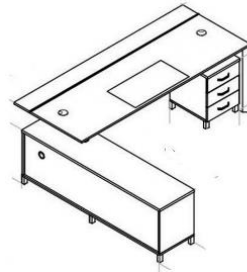
THESE SKETCHES ARE ONLY SUGGESTIVE/ INDICATIVE. HOWEVER, THE SPECIFICATIONS OF THE BOQ ARE SACROSANCT. IN CASE THERE IS ANY AMBIGUITY/ DISCREPANCY AT ANY STAGE IN THE BOQ, THE COMMITTEE OF THE INSTITUTE WILL GIVE THE FINAL DECISION FOR CHANGE.

ITEM DESCRIPTION	REFERENCE IMAGES
RECEPTION DESK-1	

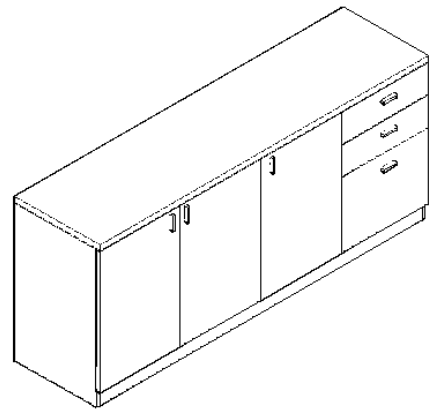
RECEPTION DESK-2



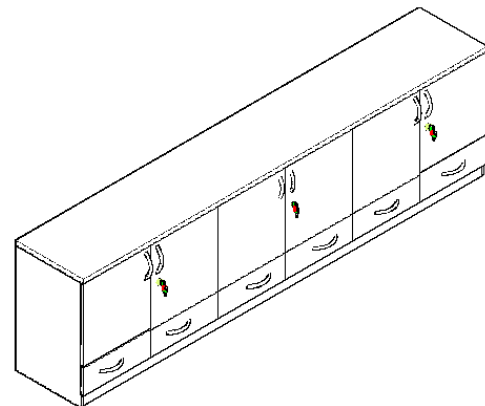
EXECUTIVE DESK



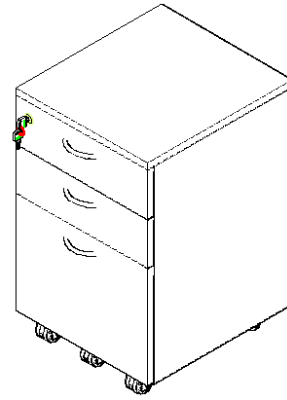
SIDE ARM TABLE-1



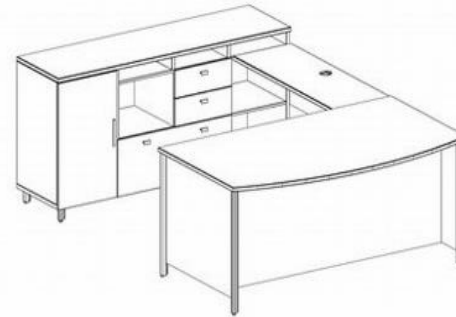
CREDENZA BACK -1



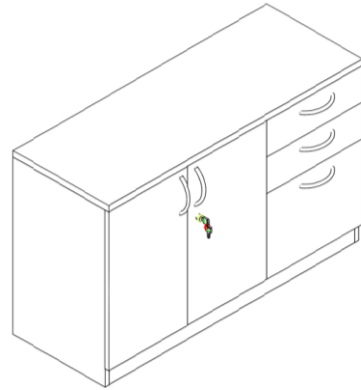
PEDESTAL STORAGE-1



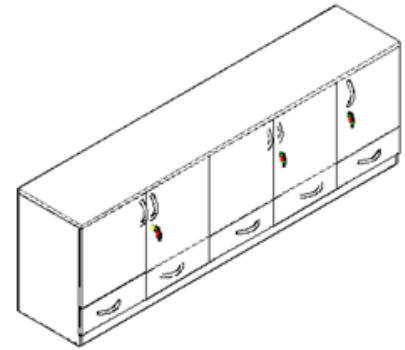
OFFICER TABLE-1



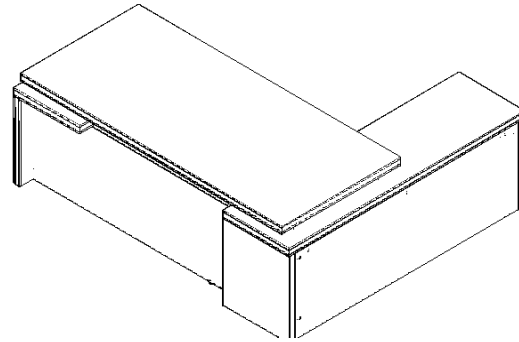
SIDE ARM TABLE-2



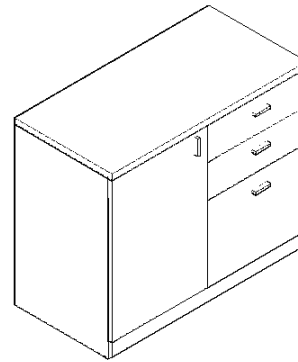
CREDENZA BACK -2



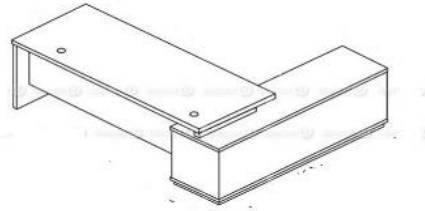
OFFICER TABLE-2



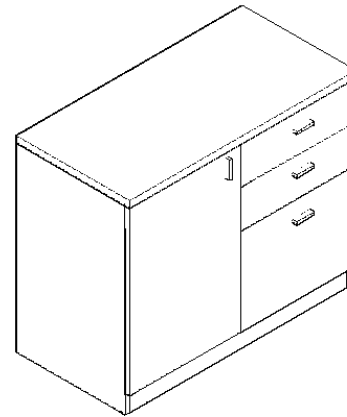
SIDE ARM TABLE-3



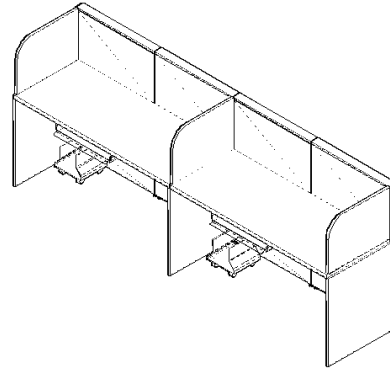
OFFICER TABLE-3



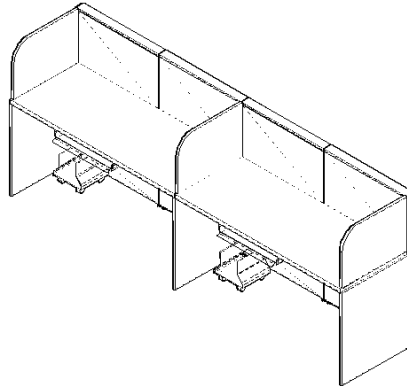
SIDE ARM TABLE-4



WORK STATION-1



WORK STATION-2



EXECUTIVE CHAIR



OFFICE CHAIR-1



OFFICE CHAIR-2



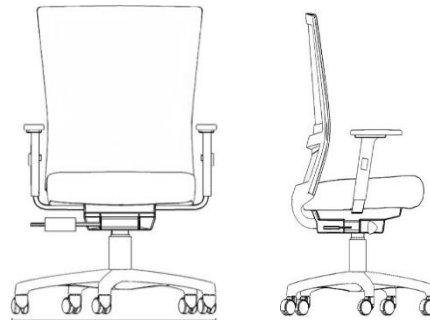
OFFICE CHAIR-3



VISITING CHAIR-1



VISITING CHAIR-2



VISITING CHAIR-3



EASY CHAIR

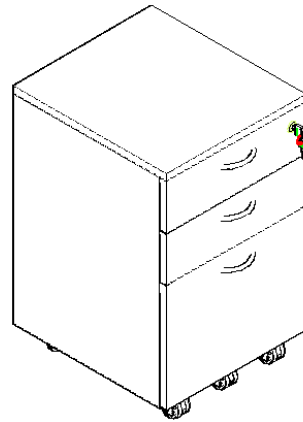


www.shutterstock.com - 788362666

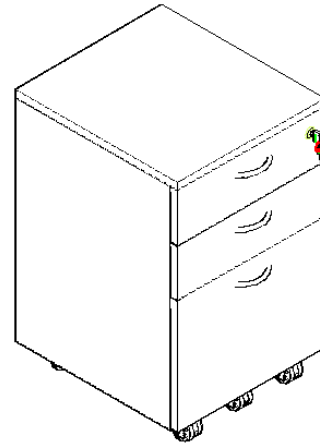
AUDI CHAIRS



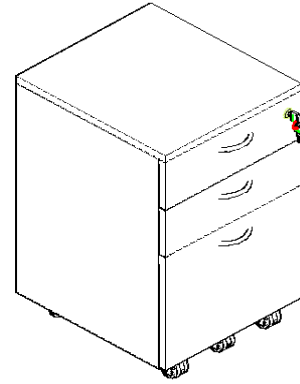
PEDESTAL STORAGE-2



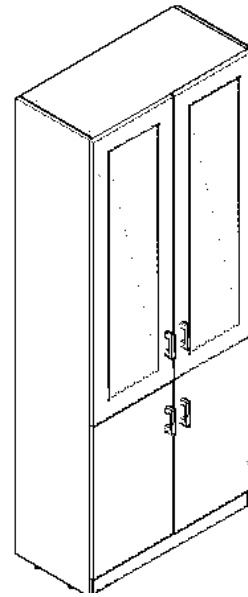
PEDESTAL STORAGE-3



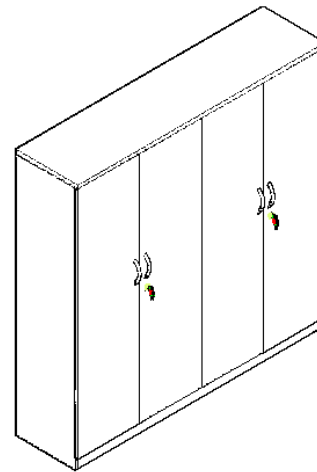
PEDESTAL STORAGE-4



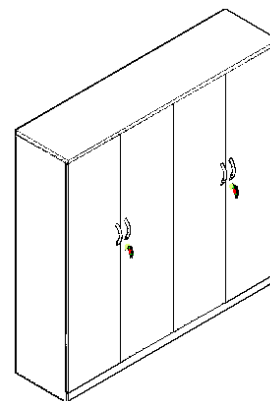
ALMIRAH-1



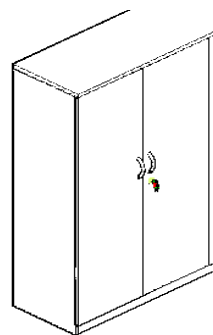
ALMIRAH-2 (WOOD)



ALMIRAH-3 (WOOD)



ALMIRAH-MDP (Wood)



ALMIRAH-1 (STEEL))



ALMIRAH-2 (STEEL))



COMPACTOR



SOFA-3S (TYPE-1)



SOFA-2S (TYPE-1)



SOFA-1S (TYPE-1)



SOFA-3S (TYPE-2)



SOFA-2S (TYPE-2)



SOFA-1S (TYPE-2)



LOUNGE CHAIR-1



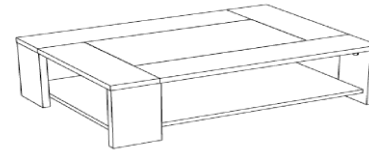
CHAISE LOUNGE SOFA -1



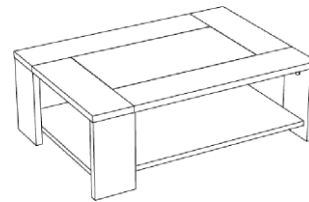
CHAISE LOUNGE-2



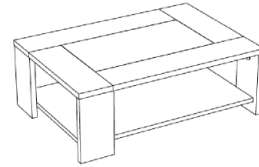
CENTRAL TABLE-1



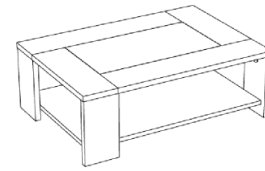
CENTRAL TABLE-2



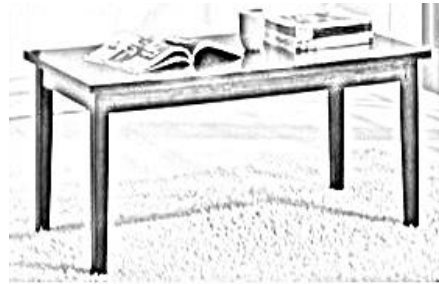
CENTRAL TABLE-3



CENTRAL TABLE-4



SIDE/CORNER TABLE-1



BED SIDE TABLE-MDP GUEST HOUSE



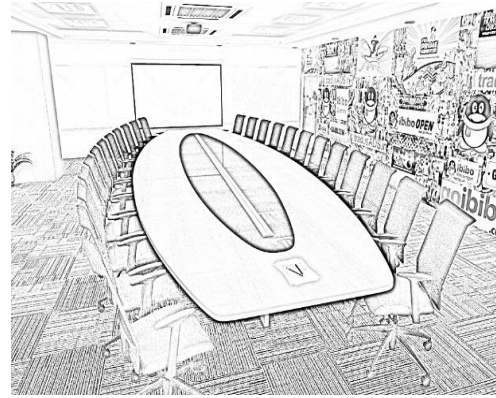
SIDE TABLE-2



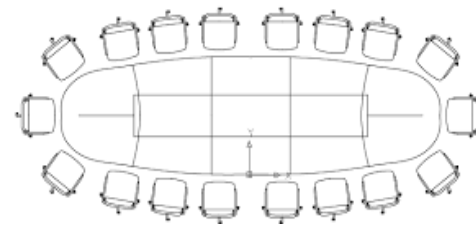
SIDE TABLE/CORNER-3



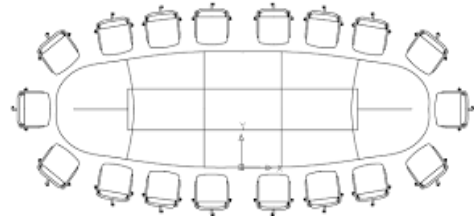
CONFERENCE TABLE-1



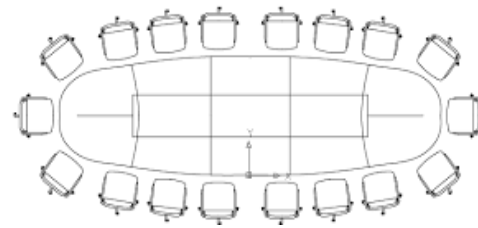
CONFERENCE TABLE-2



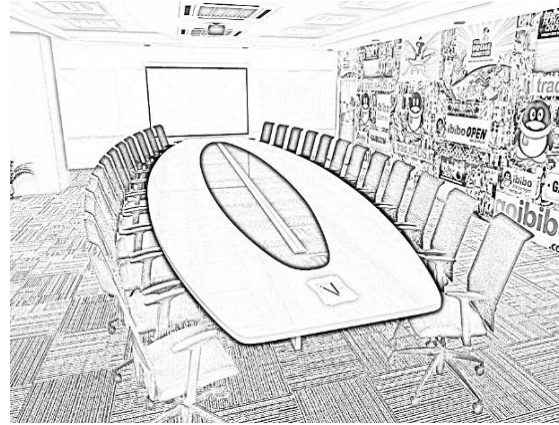
CONFERENCE TABLE-3



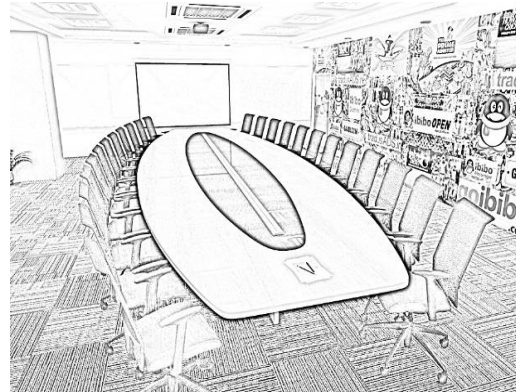
CONFERENCE TABLE-4



MEETING TABLE-1A



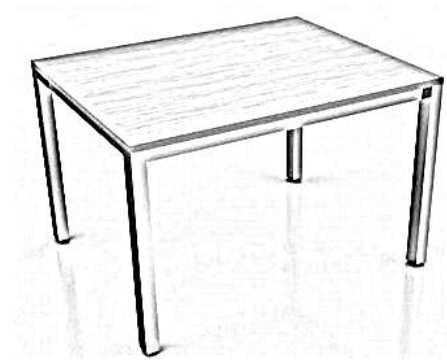
MEETING TABLE-1B



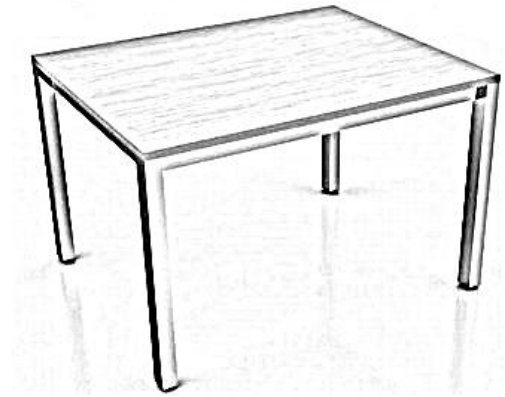
MEETING TABLE-2



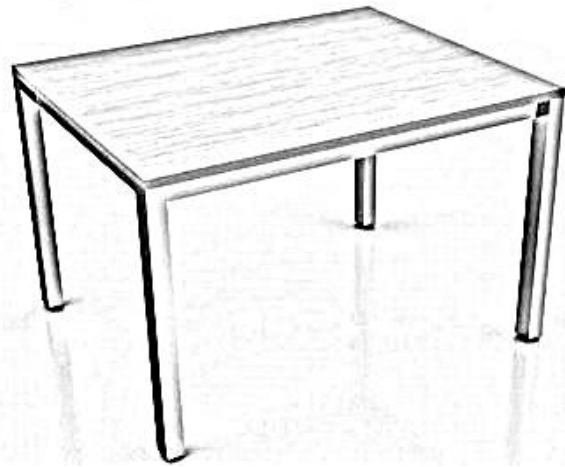
READING TABLE (1 SEATER)



READING TABLE (2 SEATER)



READING TABLE (4 SEATER)



ROUND TABLE-1 (4 SEATS)



ROUND TABLE-2 (4 SEATS)



DINING TABLE-1 (2 SEATS)



EXECUTIVE DINING TABLE (12SEATS)



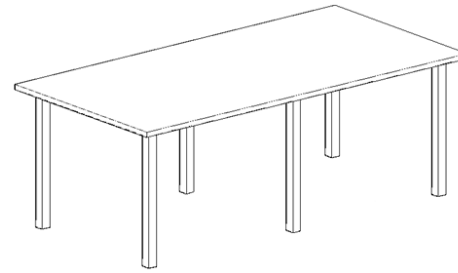
DINING TABLE-2 (2 SEATS)



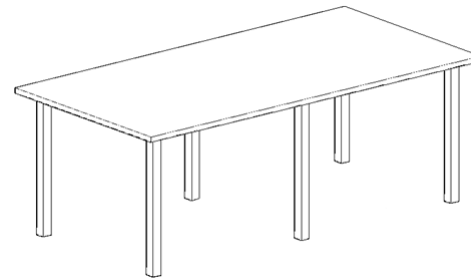
DINING TABLE-3 (4 SEATS)



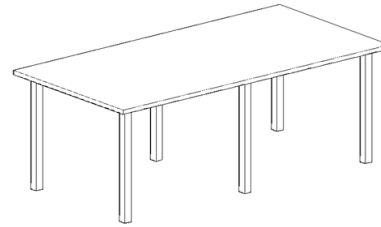
DINING TABLE-4(4 SEATS)



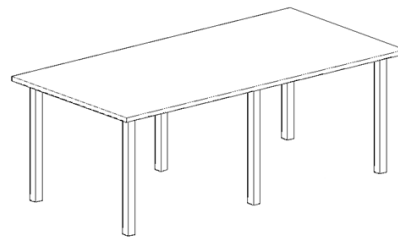
DINING TABLE-5 (8 SEATS)



DINING TABLE-6 (6 SEATS)



DINNING CUM LOUNGE TABLE



DINING CHAIR -1



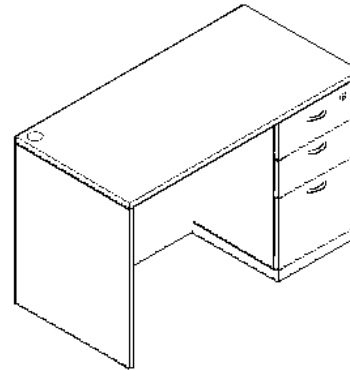
DINING CHAIR -2



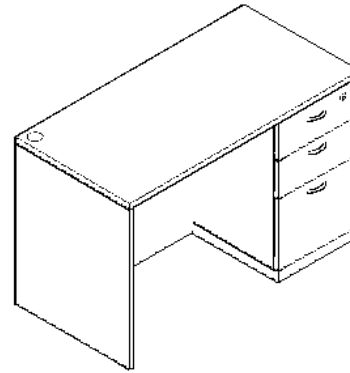
DINING CHAIR -3



STUDY TABLE WITH DRAWERS



STUDY TABLE WITH DRAWERS- MDP G.H.



SINGLE BED- MDP GUEST HOUSE



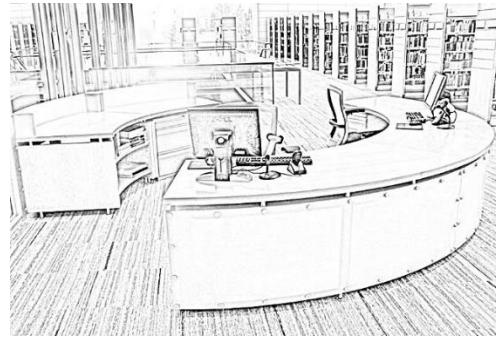
QUEEN BED-1



DOUBLE BED-1



ISSUE & RETURN DESK (LIBRARY)



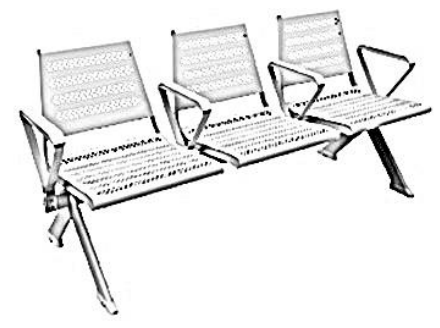
BOOK SHELVES (SINGLE SIDED)



NEWSPAPER STAND



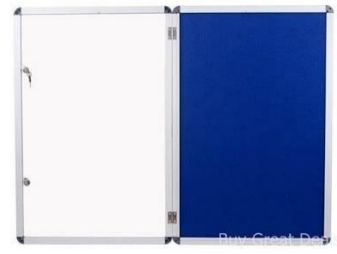
METAL CHAIR- 3 SEATER



METAL RACK



NOTICE BOARD



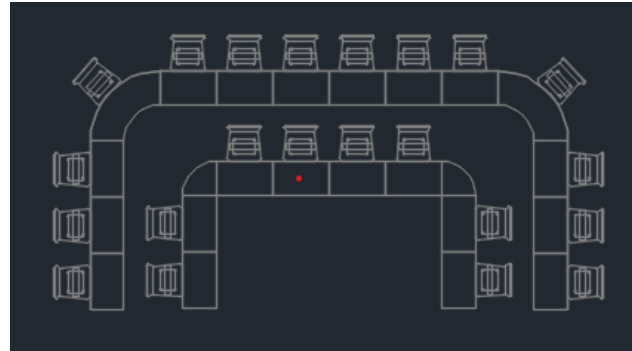
CLASSROOM TABLE - HORSESHOE



CLASSROOM CHAIR - HORSESHOE



CLASSROOM TABLE - 20 SEATER



HOSPITAL BEDS



OBSERVATION TABLE



4-TIER LOCKERS



Single Bed



CORRIGENDUM-II, Published on July 24, 2023
Tender for manufacturing , supply and installation of furniture for the permanent campus of IIM Sirmaur (Phase-I)
NIT No.: IIMS/FURNITURE TENDER/03/2023-24, dated July 08, 2023

Sr. No	Head	Terms as per the Existing Tender	Revised Terms based on Queries raised in the pre bid meeting held on July 17, 2023	Latest Revision Corrigendum-II
01	Technical Eligibility	<p>Page No. 11, Point h- The bidder should have the following certification: BIFMA membership certificate, ISO: 9001:2008; ISO: 14001:2004; ISO: 18001:2007, ISO 45001, Green Pro for raw material issued from NABCB accredited agency in India which can be verified, also certificate for AT LEAST ONE relevant category of products. Copies of all these Certificates from certified laboratory shall be uploaded with the technical bid.</p>	BIFMA membership certificate is not required to be submitted.	BIFMA membership certificate is not required to be submitted.
			<p>The latest version of following certificates needs to be submitted</p> <ol style="list-style-type: none"> 1) ISO 9001. 2) ISO 14001. 	<p>The latest version of following certificates needs to be submitted</p> <ol style="list-style-type: none"> 3) ISO 9001. 4) ISO 14001.
			Green Pro certificate for raw materials like plywood, Block board, and laminates for the following category of the products (A-Classroom desks, B-Office Tables, C-Conference tables, D-Workstations) is to be submitted.	Green Pro certificate for raw materials like plywood, Block board, and laminates for the following category of the products (A-Classroom desks, B-Office Tables, C-Conference tables, D-Workstations) is to be submitted. Bidders are expected to submit the Green pro certificates as above issued by the manufacturers of these items.
		<p>Page No. 11, Point j-The bidder/OEM must upload documentary proof of owning (Copy of Purchase invoices along with the photographs) machinery such as Hot Hydraulic Press Machine, Plywood Cutting Machine, Automatic Profile Vibrate Sanding Machine using sets of sanding papers with capacity 30 panel per hour, Automatic Spraying Machine with thickness detection system & auto feeding system - minimum one robotic arm set of two number of spray guns with capacity of</p>	Copy of Purchase invoice of machineries/equipments as given in the tender are required to be submitted along with the bid.	The requirement of “Automatic Profile Vibrate Sanding Machine using sets of sanding papers with capacity 30 panel per hour” is waived off. The machine is not required to be owned by the bidder.

		30 panel per hour, UV Curing Machine that should be used for laminate/Veneer finish for manufacturing the furniture within the stipulated period.		
02	Technical Eligibility	<p>Page No. 11-In addition to machinery Computer controlled multi stationed through feed edge bending machine, CNC Router Machine, Power Press Machine (Capacity from 10 Ton to 250 Ton), Hot Press for laminate pressing, Post Forming Machine, sliding panel Saw machine, Spindle Moulder Machine, Multi Boring Machine, Saw Machine, Zig Saw Machine, Veneer Laser sheet processing machine should be owned by the OEM/authorised dealer. Proof of plant and machinery should be uploaded with technical bid. Institute reserves the right to inspect the factory or manufacturing facility of the bidder (Or its OEM) before opening the financial bid to ensure that the above said machinery is available and functional. Bidder's offer is liable to be rejected by the Institute if the bidder does not allow for such inspection or if his manufacturing facility was not found to be satisfactory by the Institute inspecting team.</p>		The requirement of "Veneer Laser sheet processing machine" is waived off. The machine is not required to be owned by the bidder.

Note:

- 1) The above modifications shall prevail over and above the conditions mentioned in the Corrigendum-I, uploaded on 20, Jul.'23. The corrigendum-II as uploaded herewith shall form part of the agreement.
- 2) The last date of the bid submission remains unchanged.
- 3) All other conditions shall remain the same.